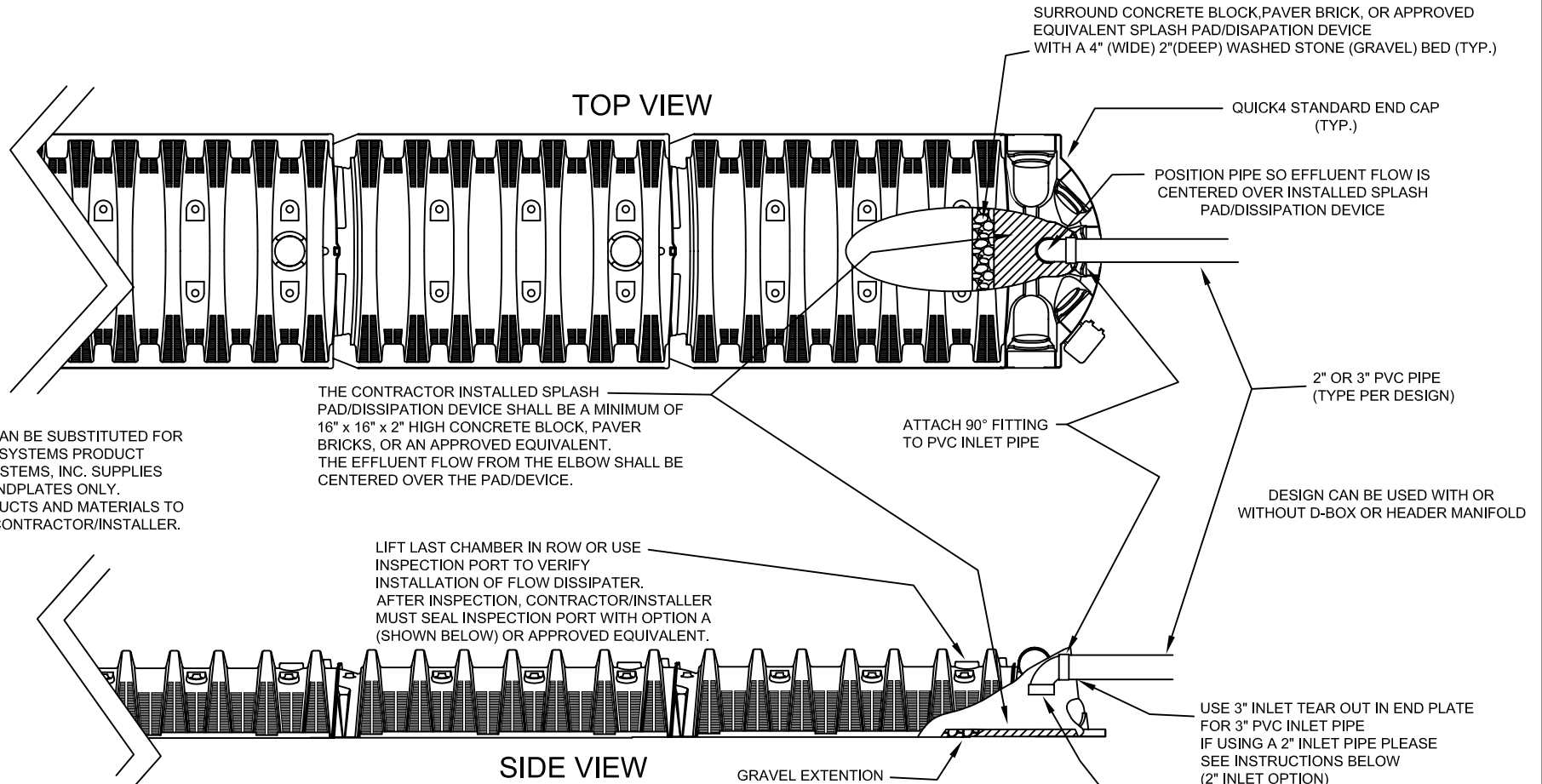


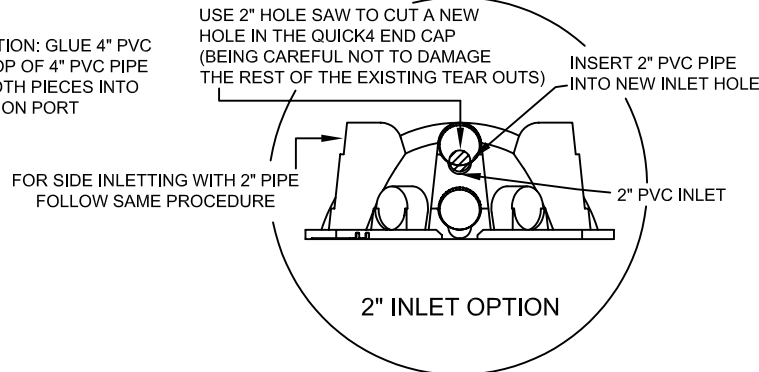
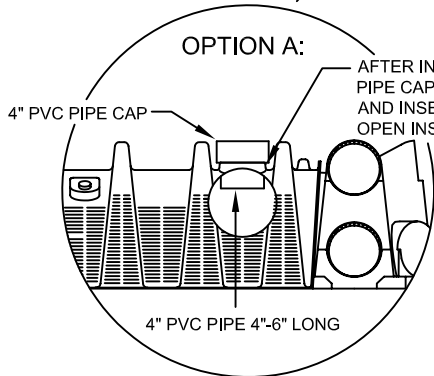
NORTH CAROLINA INFILTRATOR QUICK4 STANDARD-W FLOW DISSIPATER FOR PRESSURE SYSTEMS



NOTE: 1. DESIGN CAN BE SUBSTITUTED FOR ANY INFILTRATOR SYSTEMS PRODUCT
2. INFILTRATOR SYSTEMS, INC. SUPPLIES CHAMBERS AND ENDPLATES ONLY. ADDITIONAL PRODUCTS AND MATERIALS TO BE PROVIDED BY CONTRACTOR/INSTALLER.

THE CONTRACTOR INSTALLED SPLASH PAD/DISSIPATION DEVICE SHALL BE A MINIMUM OF 16" x 16" x 2" HIGH CONCRETE BLOCK, PAVER BRICKS, OR AN APPROVED EQUIVALENT. THE EFFLUENT FLOW FROM THE ELBOW SHALL BE CENTERED OVER THE PAD/DEVICE.

LIFT LAST CHAMBER IN ROW OR USE INSPECTION PORT TO VERIFY INSTALLATION OF FLOW DISSIPATER. AFTER INSPECTION, CONTRACTOR/INSTALLER MUST SEAL INSPECTION PORT WITH OPTION A (SHOWN BELOW) OR APPROVED EQUIVALENT.



INFILTRATOR SYSTEMS, INC. 6 BUSINESS PARK ROAD P.O. BOX 768 OLD SAYBROOK, CT 06475 PH. (800) 221-4436 FX. (860) 577-7001 WWW.INFILTRATORSYSTEMS.COM		ORANGE COUNTY, NC INFILTRATOR QUICK4 STANDARD-W FLOW DISSIPATER FOR PRESSURE SYSTEMS	
Scale	NOT TO SCALE	Checked	DFH
Date	04/06/2005	ACAD No.	NC_G45TD-W_D_A_S(90_dissapater)
Drawn By:	BCP	Sheet	1 Of 1